

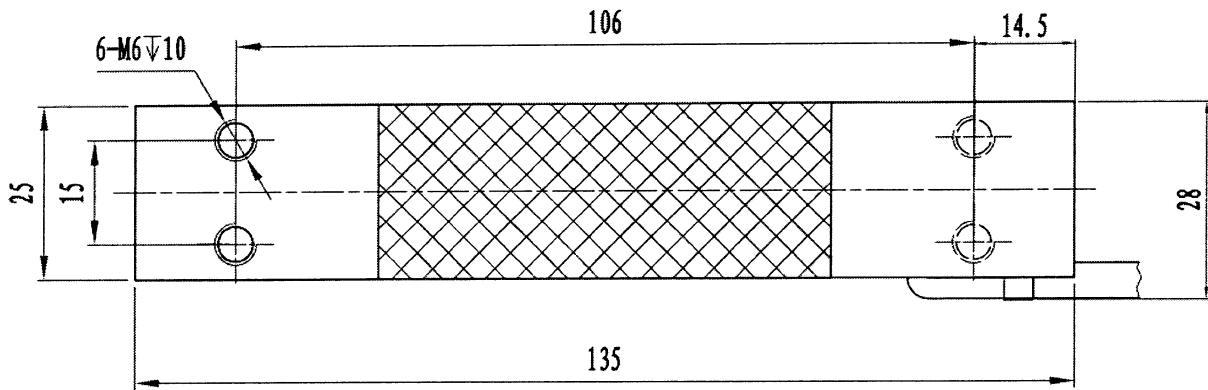
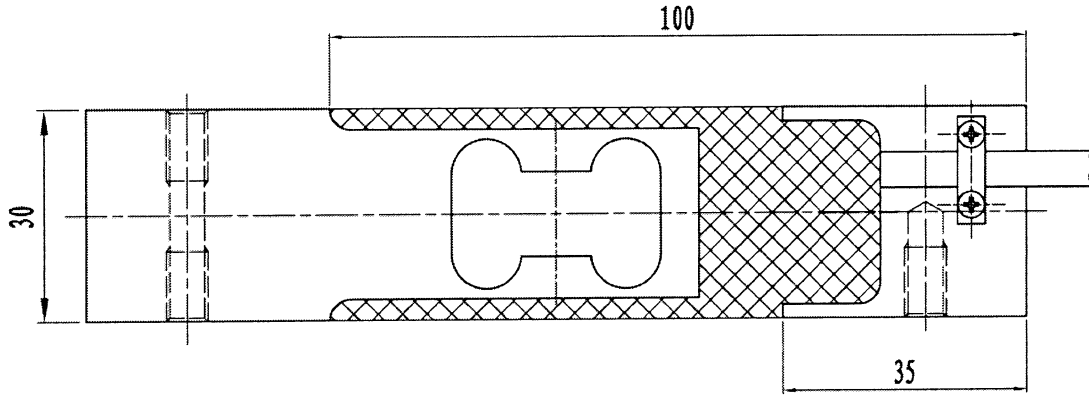
B6D-C3-50kg-3B6-W3产品技术规格书

技术指标 (SPECIFICATIONS)

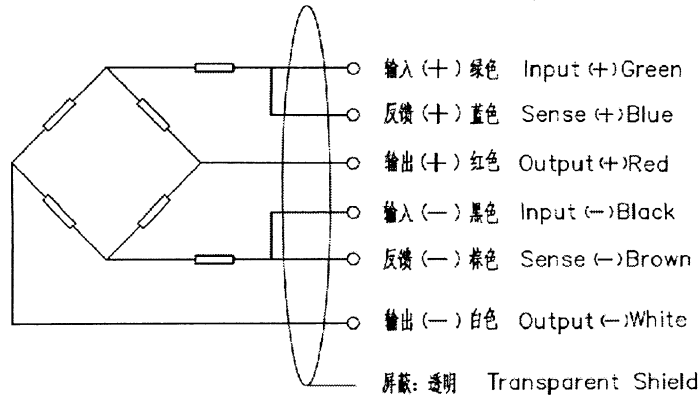
额定量程 (Maximum capacity)(E_{max})	kg	50
输出灵敏度 (Output sensitivity)	mV/V	2.0 ± 0.2
精度等级 (Accuracy class)		C3
综合误差 (Combined error)	%FS	± 0.02
蠕变 (Creep error)	%FS/30min	± 0.0167
温度对零点输出的影响 (Temperature effect on zero balance)	%FS/10°C	± 0.015
温度对输出灵敏度的影响 (Temperature effect on sensitivity)	%FS/10°C	± 0.011
零点平衡 (Zero balance)	%FS	± 1.5
输入电阻 (Input resistance)	Ω	384 ± 20
输出电阻 (Output resistance)	Ω	350 ± 3.5
绝缘阻抗 (Insulation resistance)	M Ω	≥ 5000 (50VDC)
补偿温度 (Compensated temperature)	°C	-10 to +40
工作温度 (Operating temperature)	°C	-35 to +65
推荐激励电压 (Excitation, recommended voltage)	V	5 to 12(DC)
最大激励电压 (Excitation maximum)	V	18(DC)
安全过载范围 (Safe overload)	%FS	150
极限过载范围 (Ultimate overload)	%FS	300
材料 (Element Material)		不锈钢 (Stainless steel)
防护等级 (Ingress Protection)		IP65

版本号: HZC02GJGX202108892

外形尺寸(DIMENSIONS):mm



接线方式(WIRING)



导线规格 (Cable type)	6 线屏蔽电缆, $\Phi 4.8\text{mm}$ (6 conductor shield cable, $\Phi 4.8\text{mm}$)
导线长度 (Cable length)	L=3m
屏蔽线不与弹性体相接 (Shield not connected to element)	

2021 年 10 月 13 日

编制 Designed by: 郭振宇 2021.10.13

校核 Checked by: 孙岩 2021.10.13

会签 Signed by QA: 孙岩 2021.10.13

审定 Approved by: 孙岩 2021.10.13